

EVERY MOMENT COUNTS



• ablerex **MP-RT**

FOR CORPORATE USER

 **Ablerex**
every moment counts

• ablerex MP-RT

TRUE ON-LINE DOUBLE
CONVERSION HIGH FREQUENCY UPS

The Ablerex MP-RT UPS is an ideal power protection solution which features industry-leading functionalities for Servers, Networks, Storage, Telecommunications, Industrial as well as Medical Diagnostic equipment.

Tower/Rack Wall Mount Design

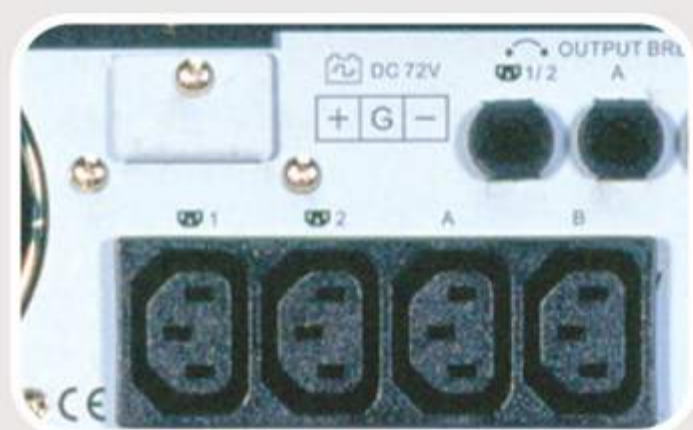
Offers a flexible form factor which enables its integration even in the most difficult of environments with space constraints.

Advanced Digital Control Technology

Achieves higher reliability and greater immunity from Utility power problems to the connected load.

Wide Input Frequency and Voltage Windows

Provides a large-scale input frequency window from 45Hz to 65Hz and input voltage window from 120Vac to 288Vac to extend battery life.



Programmable Receptacles

Offers the possibility to program the interruption of power during battery power mode, via the use of special communication software provided, thus reserving backup power for priority loads.

Unity Input Power Factor

Meets today's industry standards for energy saving and zero pollution to the Utility.

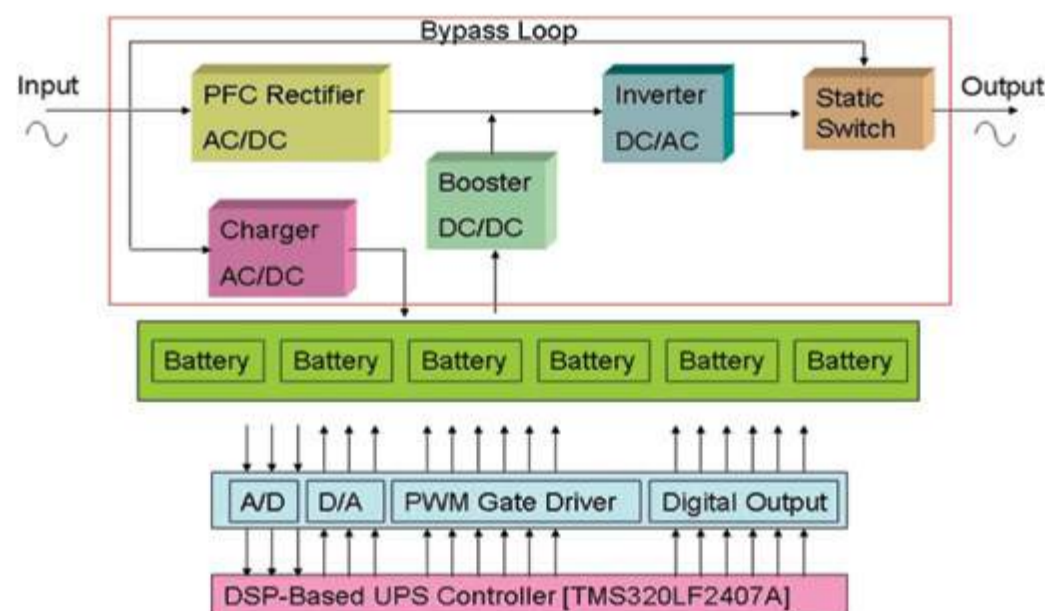
Double Conversion On-Line Technology

Completely regenerates the utility power to rectify the disturbances in the utility power. The unit provides clean A.C. power with voltage and frequency independent from the utility (VFI)



Quick-Glance LCD Display

Provides easy reading of major systems parameters and statuses including Load Level, remaining battery low and fault status.



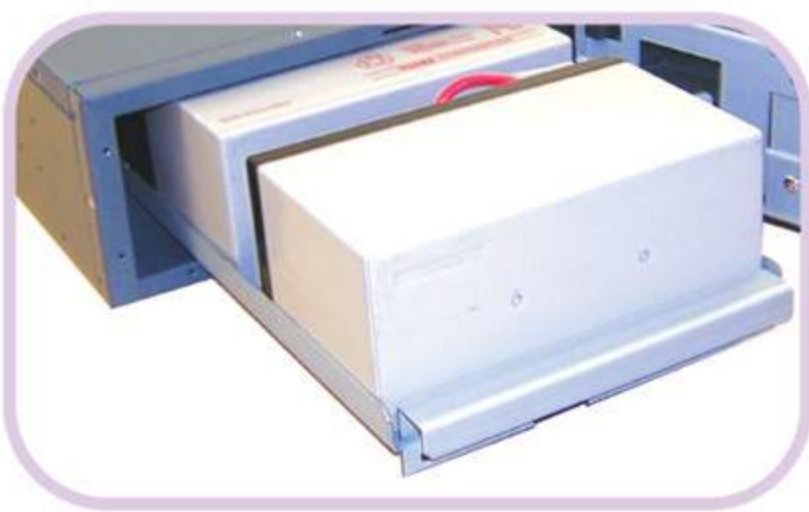
Matching Battery Cabinet

Optional matching battery cabinets are available to extend the UPS runtime easily to several hours.



Powerful Built-in Charger

Provides approximately 0.3C charging capability to re-charge internal battery to 90% in 3 hours.



Hot Swappable Battery

Allow users with little technical knowledge to easily change the batteries at the end of their useful service life.

Extended Runtime Capability Built

Enable users to connect additional battery banks by simply plugging in the battery connectors between the UPS and battery banks without requesting for additional chargers.

Communication Capability

The UPS is equip with monitoring/shutdown software as standard.

The software not only allows the control of the UPS and schedule shutdown when the utility power fails, but also allows the user to:

- remotely test the major operating functions of the UPS
- communicate via SNMP/web/network adaptor
- access UPS functions via web
- alert users via SMS messages against specific events (additional software require)



Customer Options Slot

Both RS232 and USB communication ports are supplied as standard with each UPS. This can be used with the software provided or an external SNMP adaptor.

The Options Slot allows further flexibility in network configuration. 3 cards are available: An internal SNMP card, an AS400 card, a true relay card provide isolated contacts for industrial and remote alarm panel application.

The patented technology allows the RS232, USB and SNMP to be activated simultaneously.



Emergency Shutdown Control Through EPO

Allow users to shut down the UPS completely in an emergency to ensure a safe operating environment.

Optional External Bypass Switch

Ensures continuous supply of power to the critical load in the event of electronic failure, overload, overheat or scheduled maintenance.



Optional Galvanic Isolation Transformer

Provides isolation between input and output, and various secondary voltages.

Super Compact Convertible Design

With a most compact 2U design, the UPS occupies less space in the 19" rack cabinet, or in the 21" rack cabinet with the optional 21" Rack accessories, which reduces your initial setup cost. The convertible design also offers a flexible form factor which enables integration into a wide variety of environment.



ablerex MP-RT

TECHNICAL SPECIFICATIONS

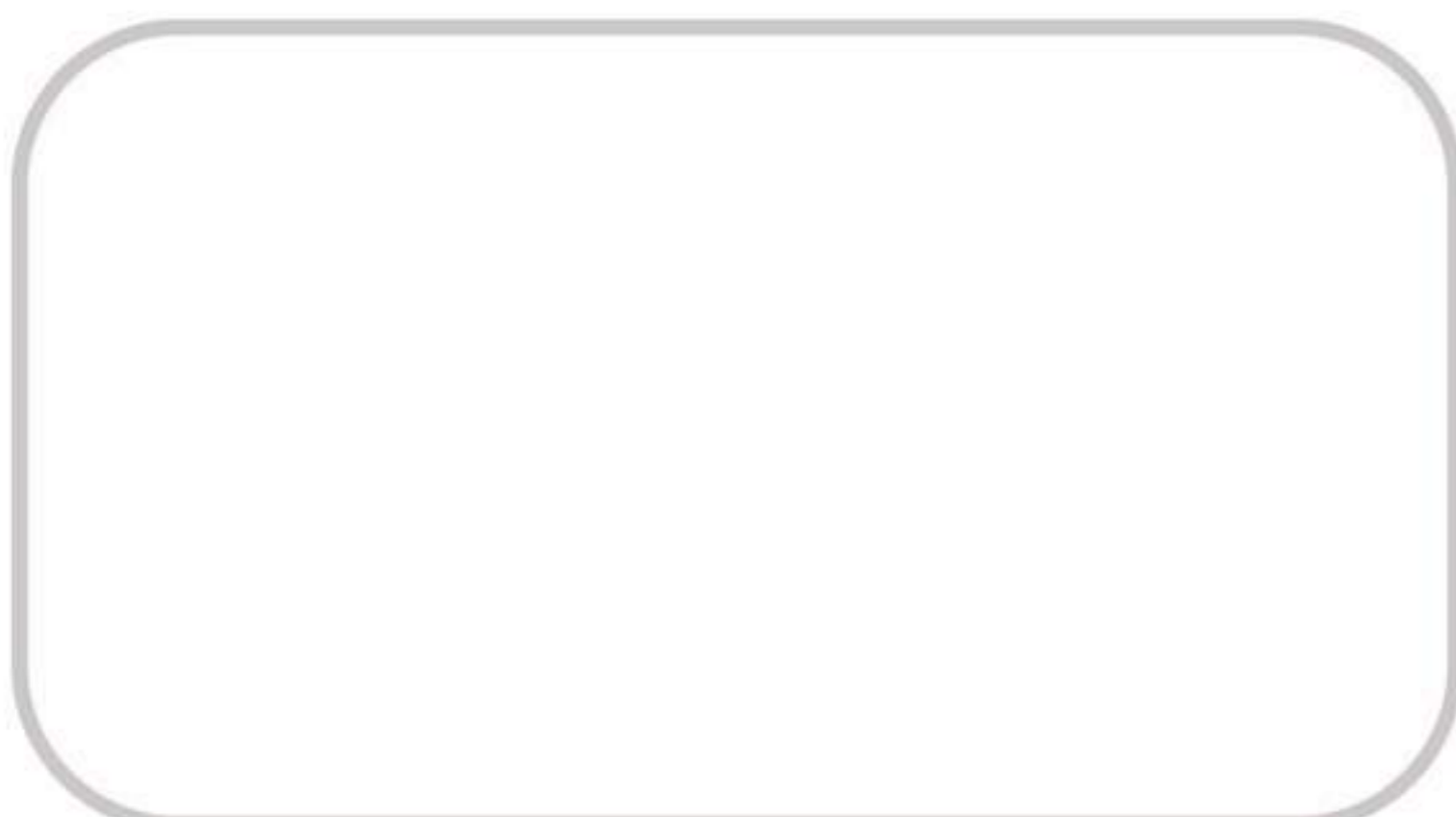
Model	MP-RT 1000	MP-RT 2000	MP-RT 3000
INPUT			
Voltage	60/70/80~144 Vac or 120/140/160~288 Vac *		
Frequency	50/60+/-5Hz (Auto Sensing)		
Phase	Single		
Input Power Factor	>0.99 (Full Load)		
OUTPUT			
Voltage	100/110/115/120/127 Vac or 200/208/220/230/240 Vac		
Capacity	1000VA/800W	2000VA/1600W	3000VA/2400W
Power Factor	0.8 Lagging to Unity within KW rating of unit		
Wave Form	Sine wave, THD<=3Hz or 1Hz (Setting by Software)		
Frequency Stability	+/-0.1% unless synchronized to line		
Transfer Time	0msec		
Crest Factor	3 : 1		
Efficiency (AC to AC)	>85%	>85%	>88%
Autonomy (Built-in Battery)	>7min	>7min	>5min
DC Start	Yes		
BATTERY			
Type	Sealed Lead Acid Maintenance Free		
Quantity	3pcs	6pcs	6pcs
Capacity	7AH	7AH	9AH
Voltage	36Vdc	72Vdc	72Vdc
Recharge Time	3 Hours to 90%		
Built-in Charger (Max. Charging Current)	~1.8A	~2.1A	~2.7A
DISPLAY			
LED	Normal, Battery, Bypass, Programmable Outlet1, Programmable Outlet2, Self-Test, Battery Weaks & Bad, Site Wiring Fault, Fault, Overload, and Load/Battery Level conditions.		
Key	On button/Off button (Test/Alarm silence btton)		
Self Diagnostics	Upon Power On and Software Control		
PROTECTION			
Overload	AC Mode <105% continuously >106%-120% 30sec. >121%-150% 10sec. >150% immediately Backup Mode <105% continuously >106%-120% for 250 sec shut down >121%-130% for 125 sec shut down >131%-135% for 50 sec shut down >136%-145% for 20 sec shut down >146%-148% for 5 sec shut down >149%-157% for 2 sec shut down >158%-176% for 1 sec shut down >177%-187% for 0.32 sec shut down >188% for 0.16 sec shut down		
Short Circuit	Current limit with Electronic Protection		
Overheat	AC Mode: Switch to Bypass Backup Mode: UPS shut down immediately		
Battery Low	Alarm and Switch Off		
EPO	UPS shuts down immediately		
Battery	Advanced battery Discharge Management (ABDM)		
Noise Suppression	300 Joules (230V System)		
ALARM			
Audible and Visual	Utility Failure, Battery Low, Transfer to Bypass, System Fault Conditions		

* Based on load [%] - 0~33/33~66/66~100% respectively.
Specification subject to change without prior notice.

Model	MP-RT 1000	MP-RT 2000	MP-RT 3000
PHYSICAL			
Dimensions (WxHxD) mm, 230V**	440 x 88 (2U) x 405 *	440 x 176 (4U) x 520	440 x 176 (4U) x 520
Input Connection 230V System	10A, IEC 320-C14	10A, IEC 320-C14	16A, IEC 320-C20
Outlets(IEC/Local) 230V	6pcs IEC320-C13	6pcs IEC320-C13	4pcs IEC320-C13 +1 x IEC320-C19
Net Weight	15.7kgs	29.4kgs	29.7kgs
ENVIRONMENT			
Operating Temperature	0°C - 40°C		
Temperature Warning	The battery design life is based on a temperature of 25°C. Ambient temperature above this range will reduce battery life.		
Altitude	0~2000m up to 40 °C, 3000m up to 35 °C		
Humidity	90% RH Maximum, Non-Condensing		
Noise	<50dB (at 1 meter)		
COMPUTER INTERFACE			
Interface Type	True RS232 and USB Interface as standard		
Communication Slots	Relay Contact Board, SNMP/WEB card, etc.		
Compatible Platforms	Window 95/98/NT/2000/XP, Novell Netware, Linux, etc.		
SAFETY CONFORMANCE			
Quality Assurance	ISO90001 Certified Company		
Safety Standard	EN62040-1, UL1778		
Performance	EN62040-3		
EMC Standard	EN62040-2, EN61000-3-2, EN61000-3-3, FCC Class A		
Marks	CE, UL, cUL, FCC		

* Dimension (WxHxD) mm with built-in transformer :
MP-RT 1000: 440 x 132 (3U) x 405

** Dimension for 120V version for all models, please consult us.



DESIGNED AND ENGINEERED BY :



AblereX Electronics (S) Pte Ltd
23 New Industrial Road #05-03
Solstice Business Center
Singapore 536209
Tel: +65 6282 6535
Fax: +65 6282 6343
Email: sales@ablerex.com.sg

www.ablerex.com.sg